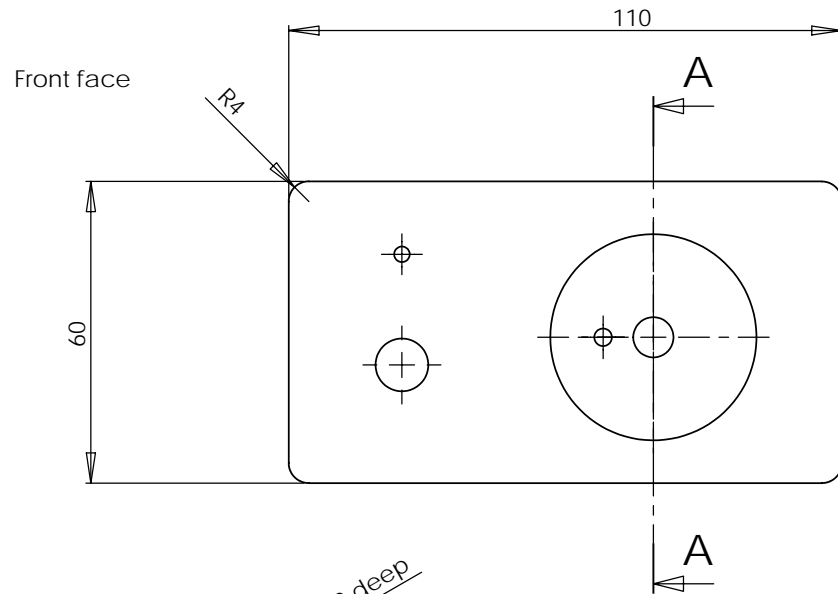


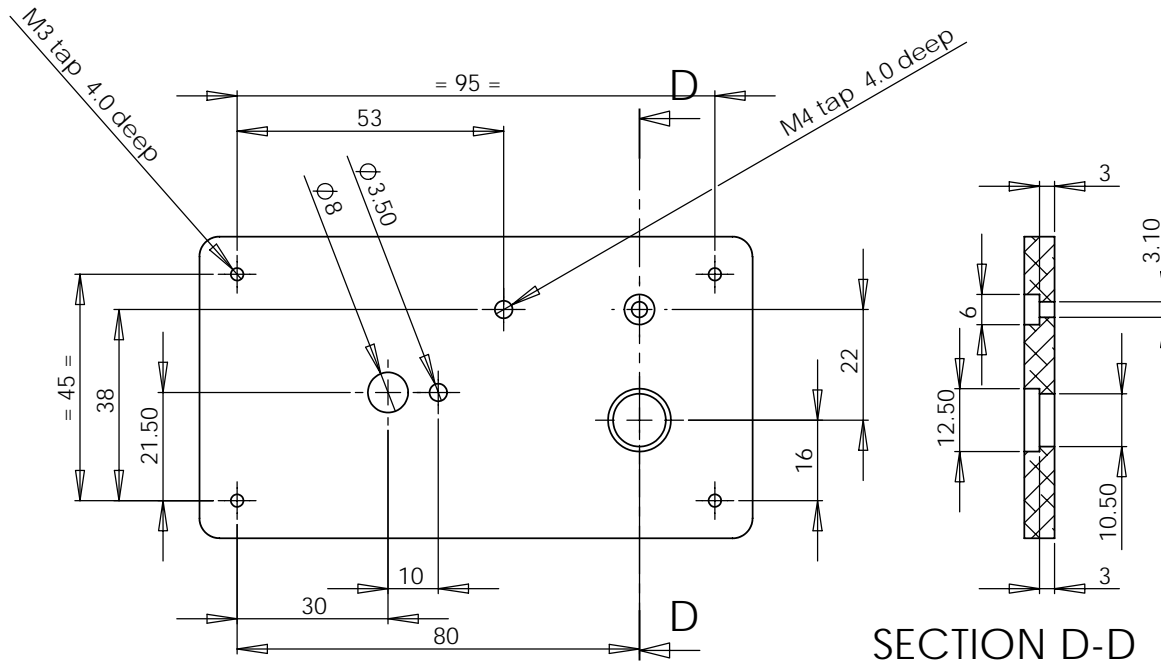
Notes:

1. All dimensions in mm
2. All tolerances are $\pm 0.1\text{mm}$
3. Material = 6mm thick clear anodized aluminium



SECTION A-A

Back Face



SECTION D-D

TITLE: High End Headphone Amplifier Front Panel Fabrication			REVISION: 2.0	
DOCUMENT REF: 00000273	Copyright of Kelyn shaw	DATE: 07/08/2009	A3	